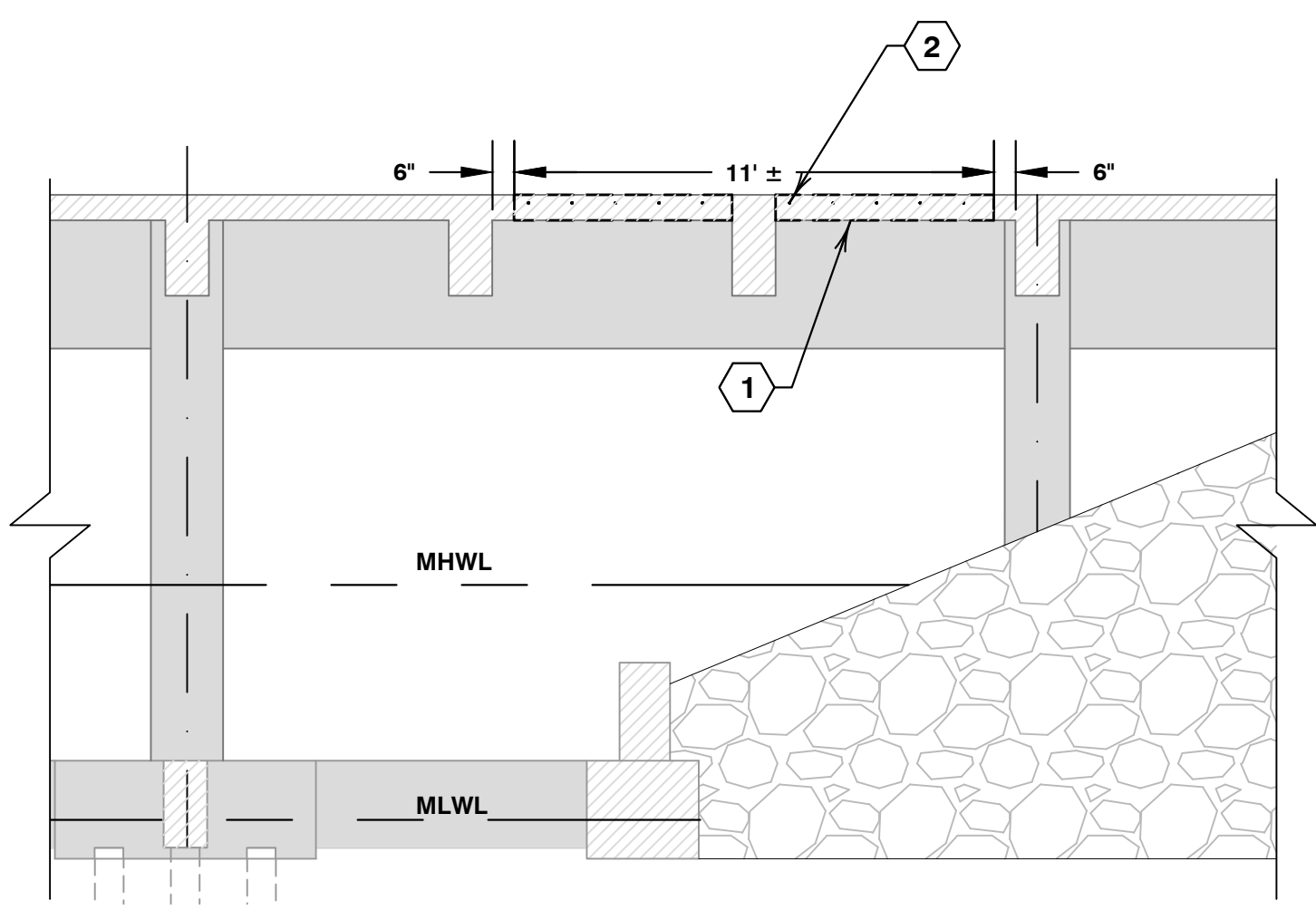
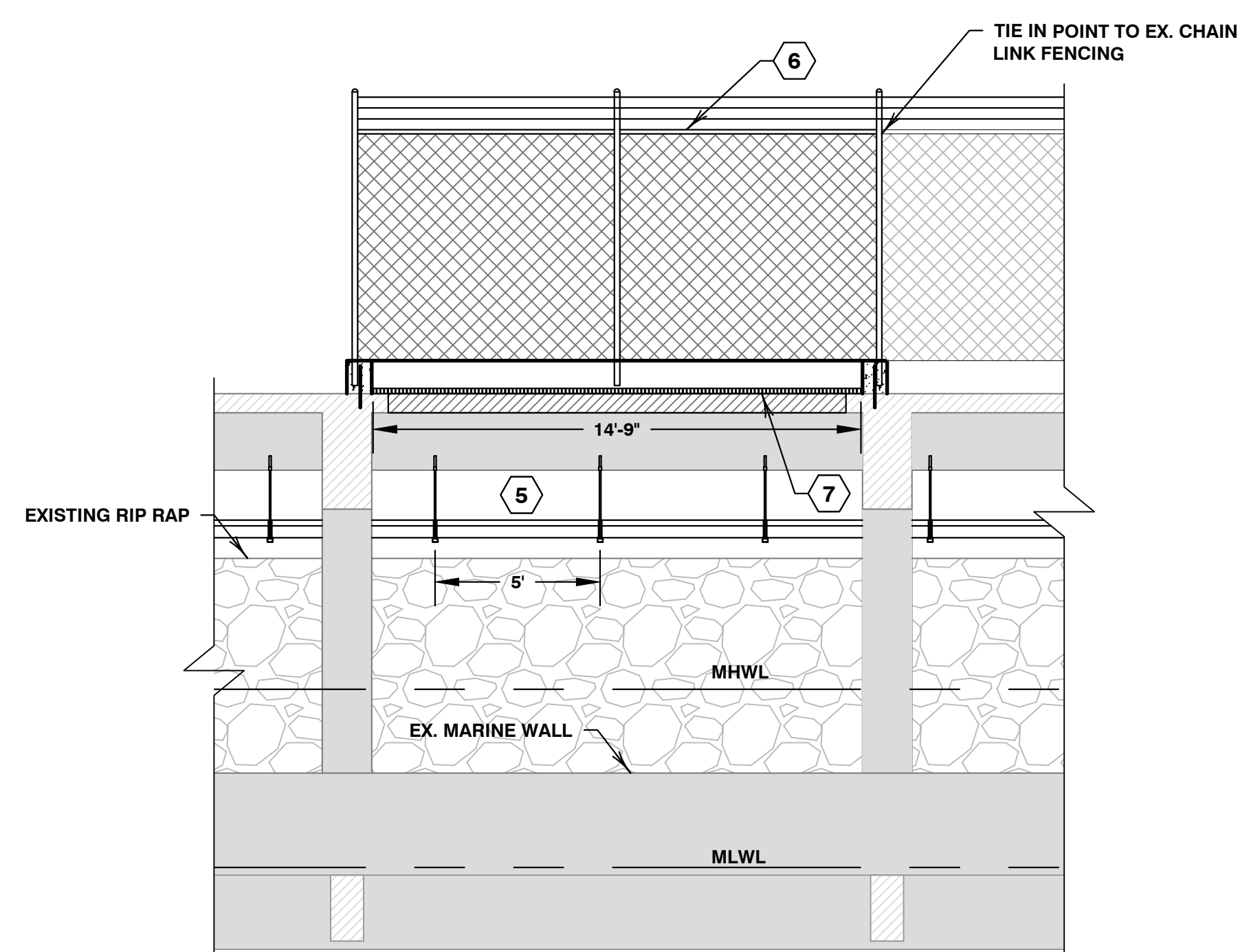


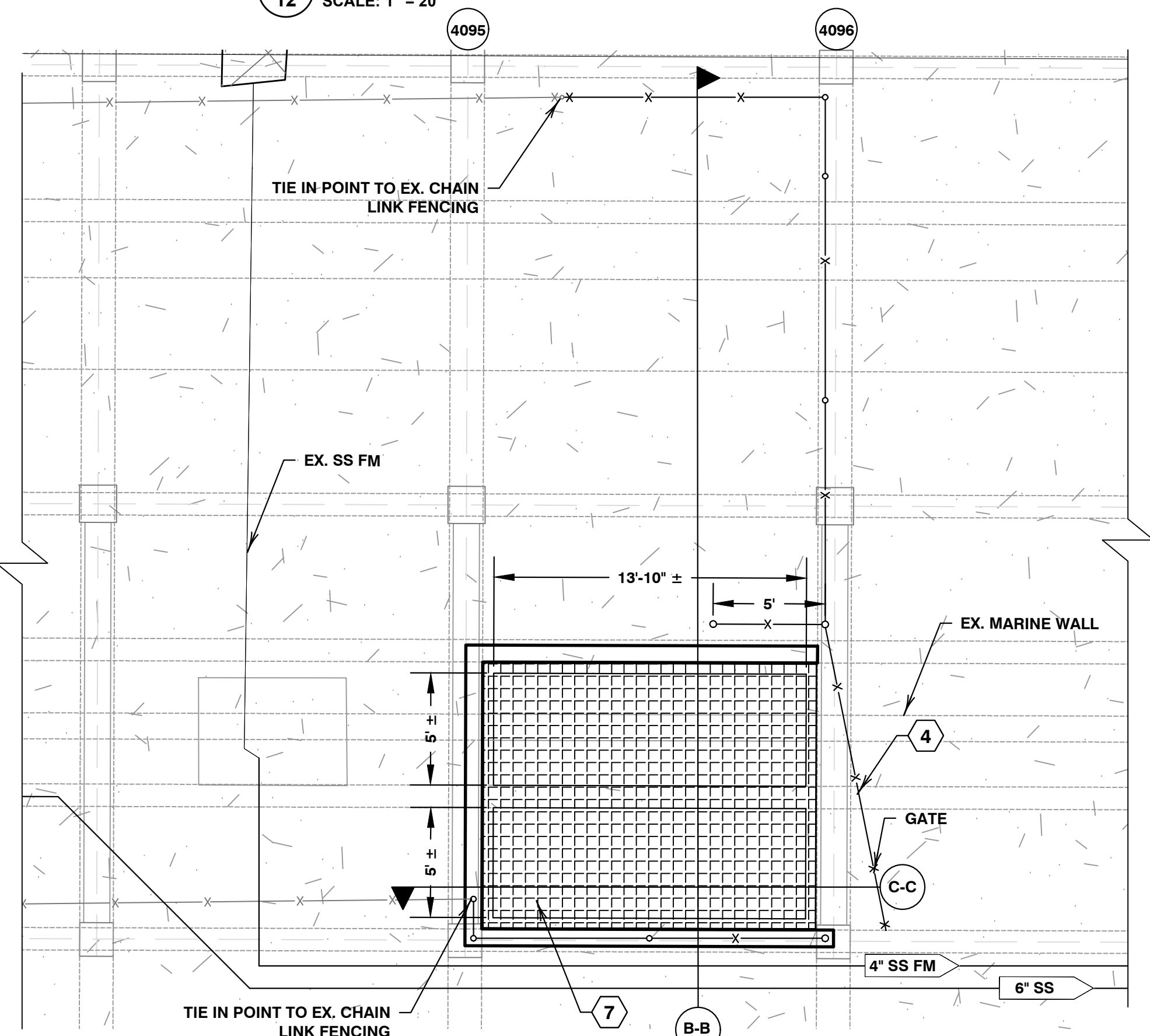
1/12 DECK ACCESS POINT SAW CUT PLAN
SCALE: 1" = 20'



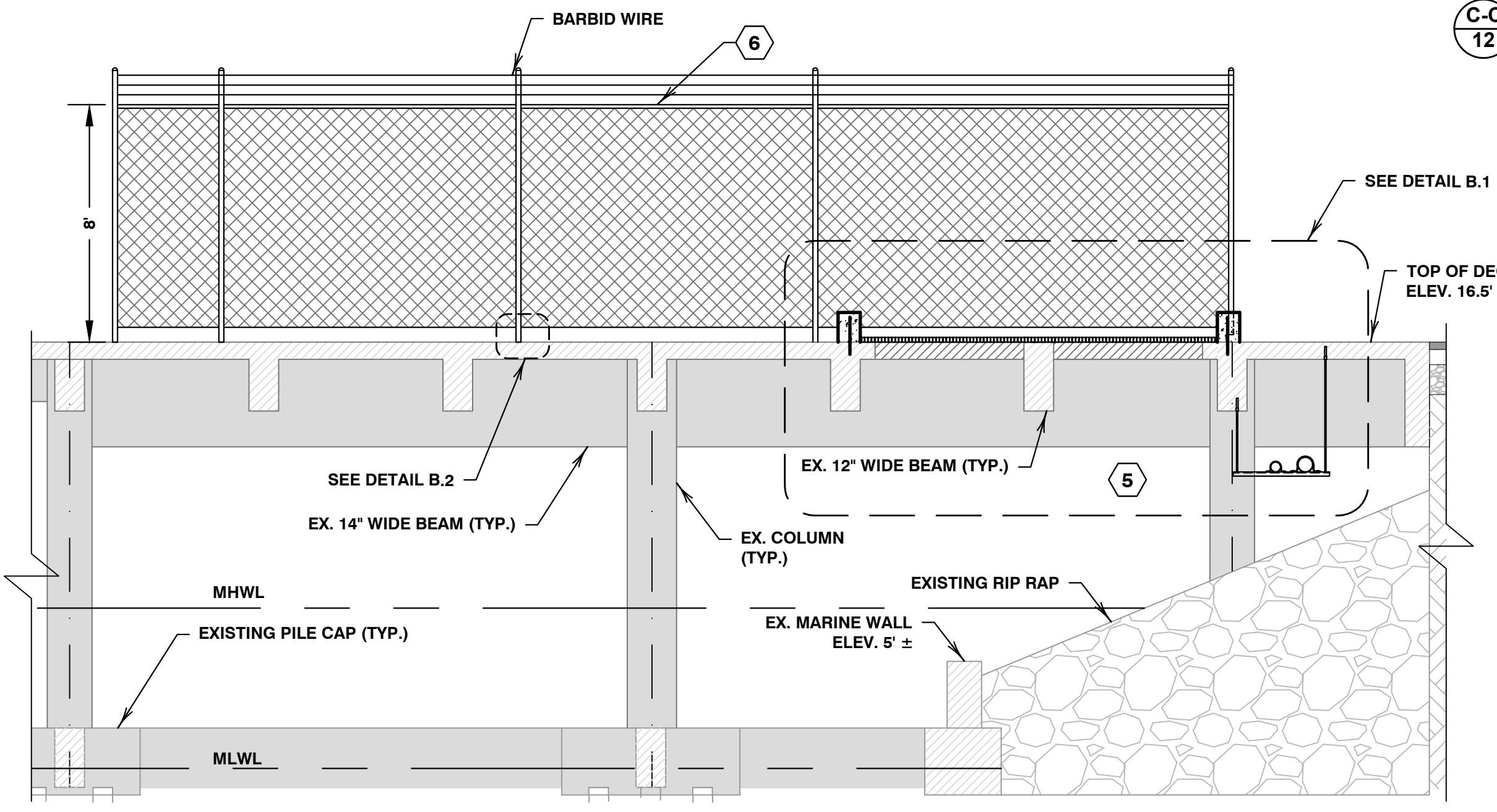
A-A SECTION A-A. SAW CUT ELEVATION
SCALE: 1" = 4'



C-C SECTION C-C
SCALE: 1" = 4'



2/12 DECK ACCESS POINT PLAN
SCALE: 1" = 5'



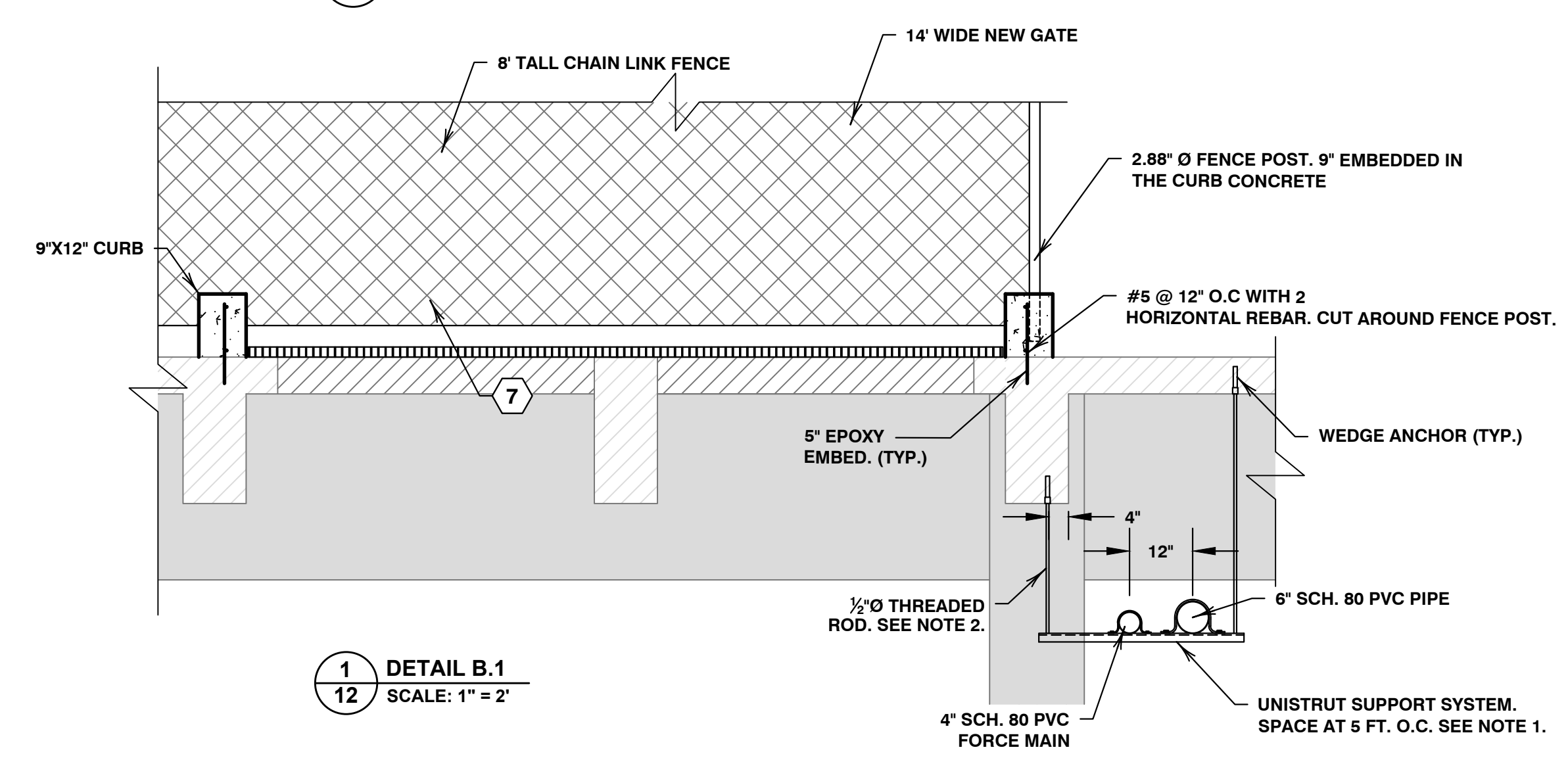
B-B SECTION B-B.
SCALE: 1" = 4'

- CONSTRUCTION NOTES**
- 1 SAW CUT AND DISPOSE OF 7" CONCRETE DECK FOR OPENING. SAW CUT TO BE CLEAN AND NOT OVER CUT FOR STRUCTURE INTEGRITY. NO CONCRETE IS ALLOWED TO BE DROPPED. WATER PROOF CONTAINMENT REQUIRED FOR SAW CUT.
 - 2 PAINT THE CONCRETE SAWCUT SURFACE YELLOW IN TWO COATS. USE EPOXY ZENITH BUTTERCUP OR EQUAL.
 - 3 INSTALL 9" WIDE AND 12" HEIGHT CURB.
 - 4 INSTALL 14' WIDE SECURITY CHAIN LINK FENCE GATE WITH BARBED WIRE PER CALTRANS STANDARD PLANS A85.
 - 5 THE CONTRACTOR NEEDS TO PROVIDE TEMPORARY ACCESS STAIRS 36" WIDE WITH HANDRAIL FOR DURATION OF PROJECT. TO BE REMOVED AT END OF PROJECT.
 - 6 INSTALL 8 FEET TALL CHAIN LINK FENCE WITH BARBED WIRE MATCHING THE EXISTING FENCE AND CALTRANS STANDARD DETAIL A85.
 - 7 INSTALL 2" THICK GALVANIZED METAL GRATING CAPABLE OF 300 LBS OF FOOT LOAD. USE GRATING PACIFIC PRODUCT OR EQUAL.
 - 8 INSTALL NEW SS CLEANOUT. SEE DETAIL S-18 ON SHEET 10.
 - 9 REMOVE EXISTING CLEANOUT.

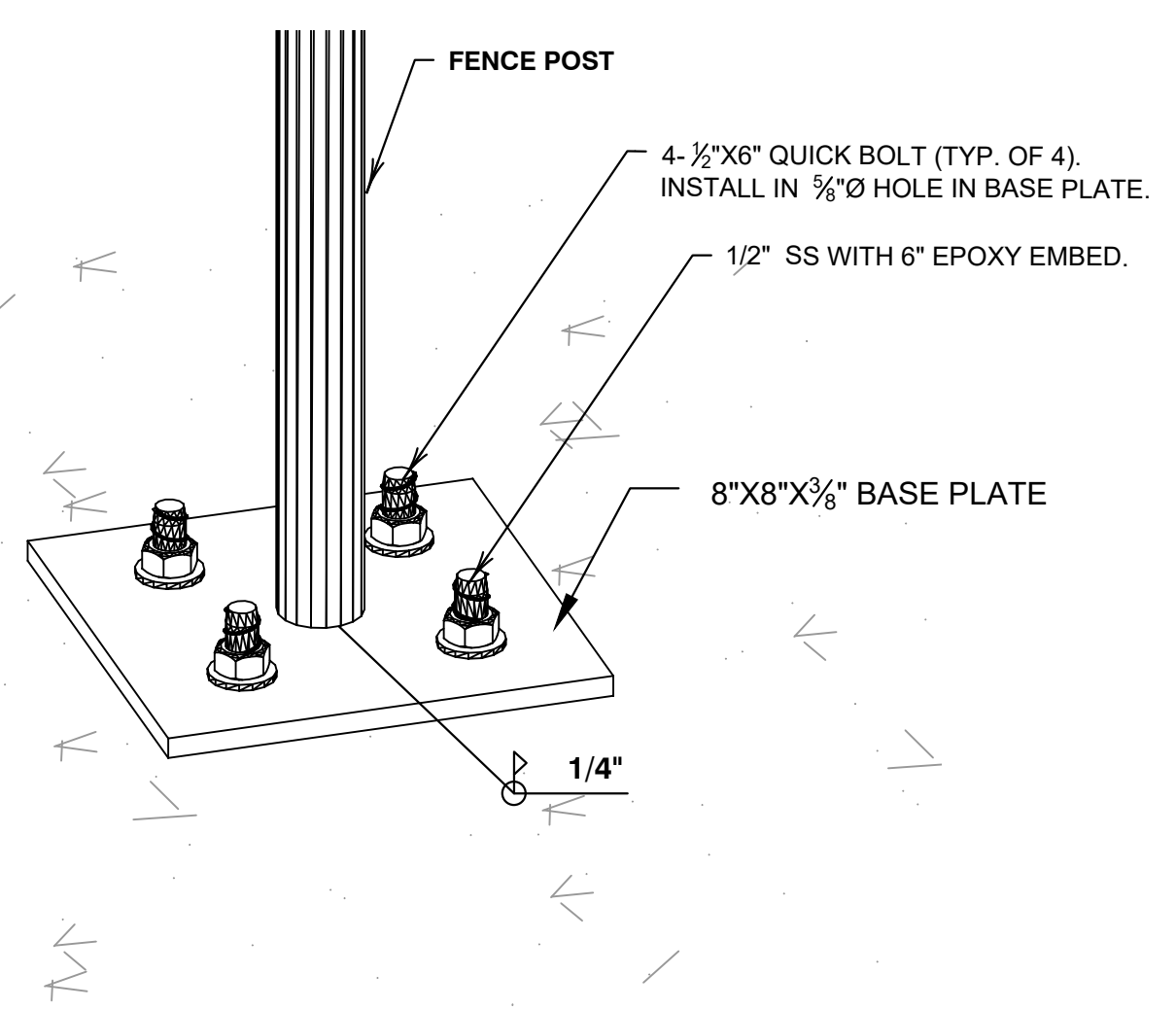
- GENERAL NOTES**
1. ALL WORK SHALL NOT INTERFERE WITH PORT OPERATIONS. CONTRACTOR TO PROVIDE 24-HOUR NOTICE TO PORT PRIOR TO EXCAVATION WITHIN TRUCKING LANE.
 2. WATERPROOF FALSE WORK / SCAFFOLDING TO CONTAIN DEMO ACTIVITIES.
 3. EXPOSED END OF REBAR FROM SAW CUT TO BE EPOXY PAINTED.
 4. MHWL = 6.8' PER NAVD 88, 4.5' PER NGVD 29.
 5. MLWL = 1.4' PER NAVD 88, -0.9' PER NGVD 29.

DECK ACCESS POINT DETAILS QUANTITIES

ITEM #	DESCRIPTION	UNIT	QUANTITY
1	SAW CUT AND REMOVE EX. DECK	SF	139
2	INSTALL 9"x12" CURB	LF	44
3	INSTALL SECURITY CHAIN LINK FENCE	LF	58
4	INSTALL 14' WIDE SECURITY GATE	EA	1
5	METAL GRATING SYSTEM	SF	176
6	TEMPORARY ACCESS STAIRS	EA	1



1/12 DETAIL B.1
SCALE: 1" = 2'



B.2 TYPICAL FENCE POST INSTALLATION
SCALE: N.T.S



DILLON & MURPHY ENGINEERING
847 N. CLUFF AVENUE
SUITE A-2, LODI, CA 95240
(209) 334-6613

PORT OF STOCKTON
EAST COMPLEX SEWER IMPROVEMENTS, PORT ROADS 2 AND A

DECK ACCESS POINT DETAILS

STOCKTON, CALIFORNIA
JANUARY, 2023

REV. NO.	DESCRIPTION	DATE	SCALE: AS SHOWN	BENCH MARK:	EL:	SHEET
1	ADDENDUM 1	01/17/2023	DRAWN BY: FA			12
			DESIGNED BY: FA			OF 12 SHEETS
			CHECKED BY: KM			JOB NO. 22110
			AS BUILT BY:			